

PLEASE CHECK WWW.MOLEX.COM FOR LATEST PART INFORMATION

Part Number: [0529961570](#)
Status: **Active**
Overview: [ffc fpc smt](#)
Description: 1.00mm (.039") Pitch FFC/FPC Connector, Right Angle, SMT, ZIF, Top Contact Style, 15 Circuits

Documents:

[3D Model](#) [Product Specification PS-52996-001 \(PDF\)](#)
[Drawing \(PDF\)](#) [RoHS Certificate of Compliance \(PDF\)](#)

General

Product Family FFC/FPC Connectors
 Series [52996](#)
 Overview [ffc fpc smt](#)
 Product Name N/A

Physical

Circuits (Loaded) 15
 Circuits (maximum) 15
 Contact Position Top
 Durability (mating cycles max) 30
 Entry Angle 90° Angle
 Mated Height (in) 0.106 In
 Mated Height (mm) 2.70 mm
 Material - Metal Phosphor Bronze
 Material - Plating Mating Tin-Bismuth
 Material - Plating Termination Tin-Bismuth
 Number of Rows 1
 Orientation Right Angle
 PC Tail Length (in) 0.000 In
 PC Tail Length (mm) 0.00 mm
 PCB Locator No
 PCB Retention Yes
 PCB Thickness Recommended (in) 0.031 In
 PCB Thickness Recommended (mm) 0.80 mm
 Packaging Type Embossed Tape on Reel
 Pitch - Mating Interface (in) 0.039 In
 Pitch - Mating Interface (mm) 1.00 mm
 Pitch - Term. Interface (in) 0.039 In
 Pitch - Term. Interface (mm) 1.00 mm
 Plating min: Mating (µin) 40
 Plating min: Mating (µm) 1
 Plating min: Termination (µin) 40
 Plating min: Termination (µm) 1
 Polarized to PCB No
 Stackable No
 Surface Mount Compatible (SMC) No
 Temperature Range - Operating -20°C to +85°C
 Termination Interface: Style Surface Mount
 Wire/Cable Type FPC only

Electrical

Current - Maximum per Contact 1A
 Voltage - Maximum 125V AC (RMS)/DC

Material Info

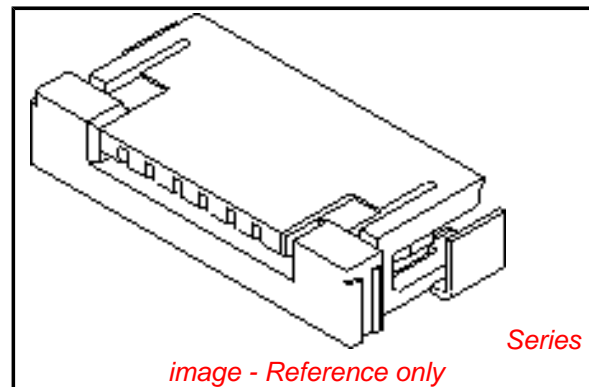


image - Reference only

EU RoHS

**ELV and RoHS
Compliant**
REACH SVHC
 Not Reviewed
**Halogen-Free
Status**

China RoHS



**Need more information on product
environmental compliance?**

Email productcompliance@molex.com
 For a multiple part number RoHS Certificate of Compliance, [click here](#)

Please visit the [Contact Us](#) section for any non-product compliance questions.

Search Parts in this Series

[52996Series](#)

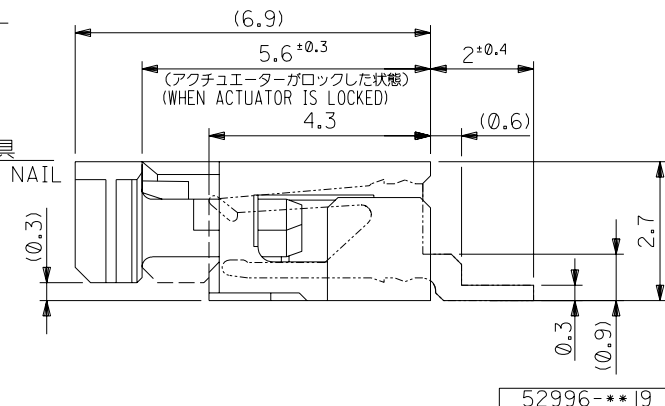
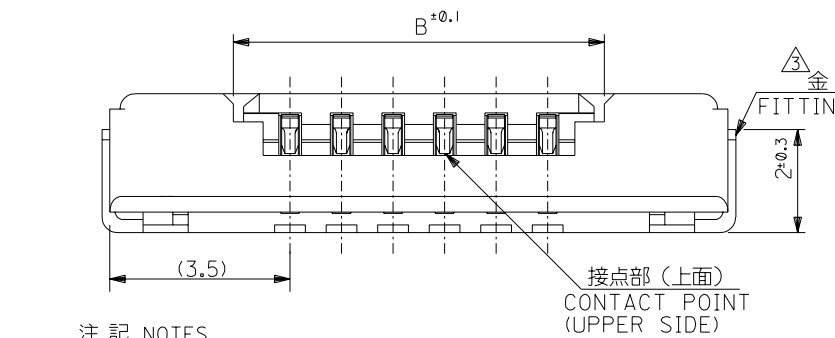
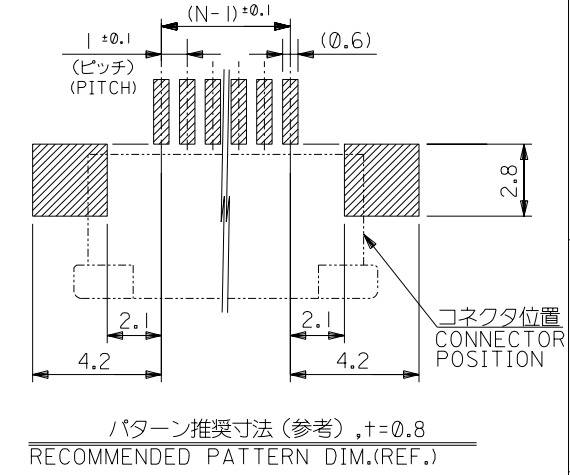
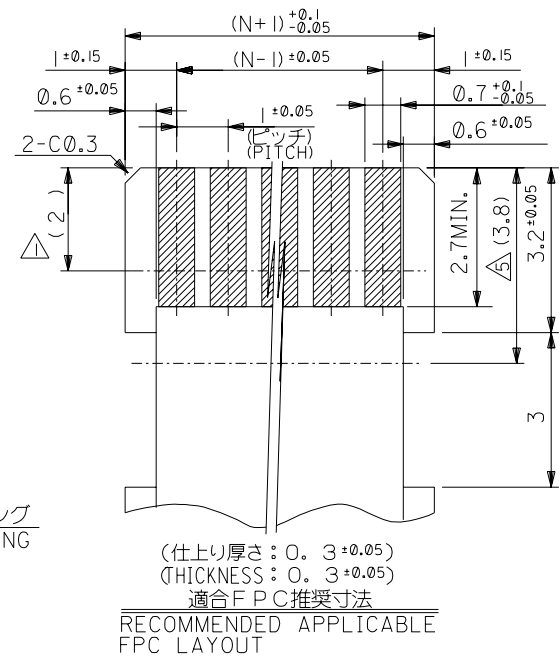
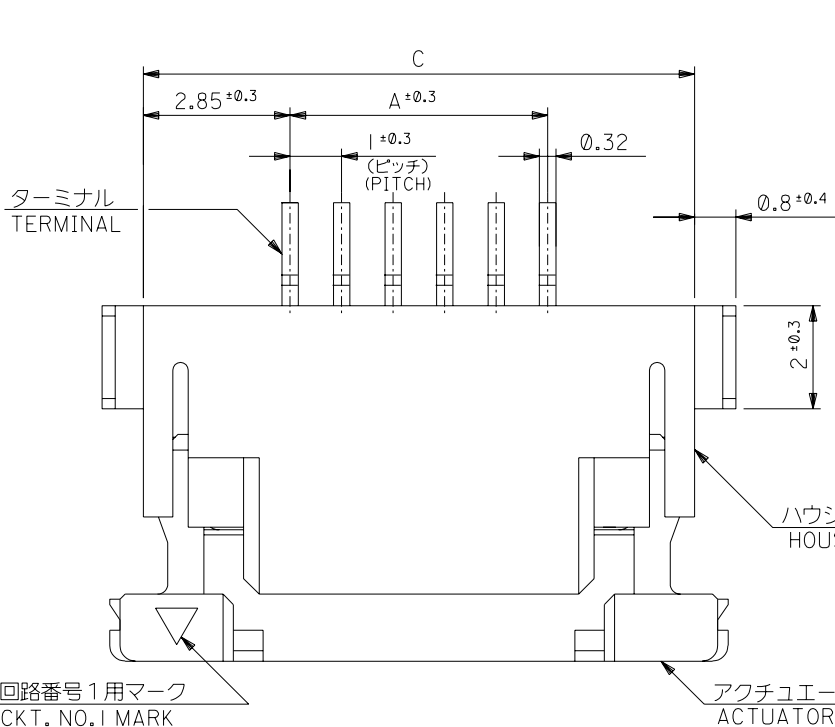
Reference - Drawing Numbers

Product Specification
Sales Drawing

PS-52996-001, RPS-52996-001
SD-52996-001, SD-52996-002

This document was generated on 06/07/2010

PLEASE CHECK WWW.MOLEX.COM FOR LATEST PART INFORMATION



34.7	31.2	29	52996-3019	30
33.7	30.2	28	-2919	29
32.7	29.2	27	-2819	28
31.7	28.2	26	-2719	27
30.7	27.2	25	-2619	26
29.7	26.2	24	-2519	25
28.7	25.2	23	-2419	24
27.7	24.2	22	-2319	23
26.7	23.2	21	-2219	22
25.7	22.2	20	-2119	21
24.7	21.2	19	-2019	20
23.7	20.2	18	-1919	19
22.7	19.2	17	-1819	18
21.7	18.2	16	-1719	17
20.7	17.2	15	-1619	16
19.7	16.2	14	-1519	15
18.7	15.2	13	-1419	14
17.7	14.2	12	-1319	13
16.7	13.2	11	-1219	12
15.7	12.2	10	-1119	11
14.7	11.2	9	-1019	10
13.7	10.2	8	-0919	9
12.7	9.2	7	-0819	8
11.7	8.2	6	-0719	7
10.7	7.2	5	-0619	6
9.7	6.2	4	-0519	5
8.7	5.2	3	-0419	4
7.7	4.2	2	52996-0319	3

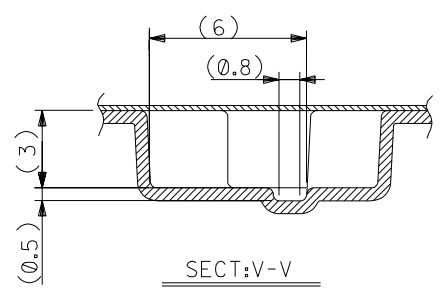
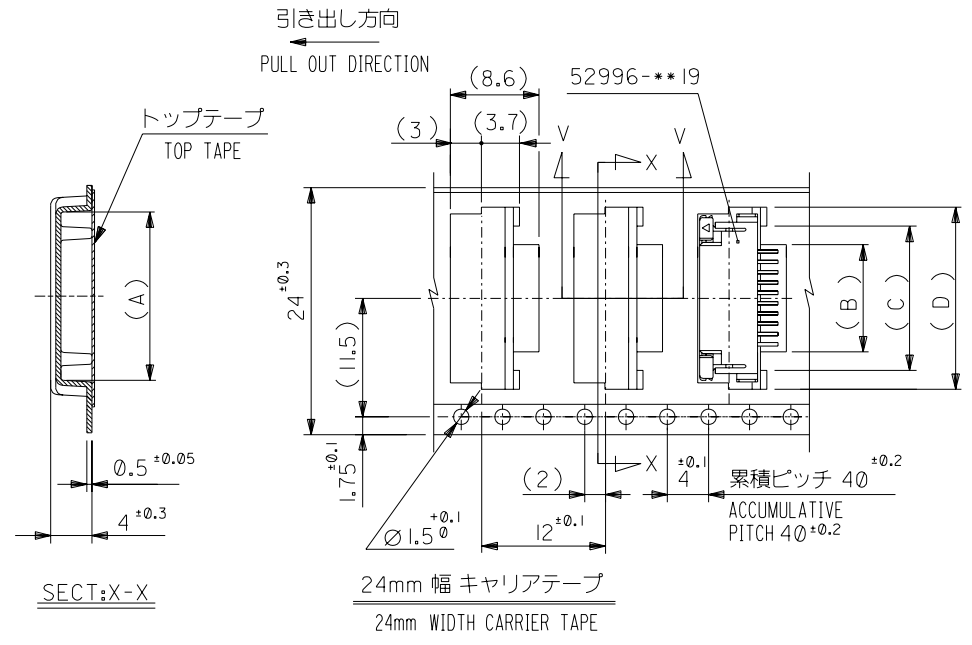
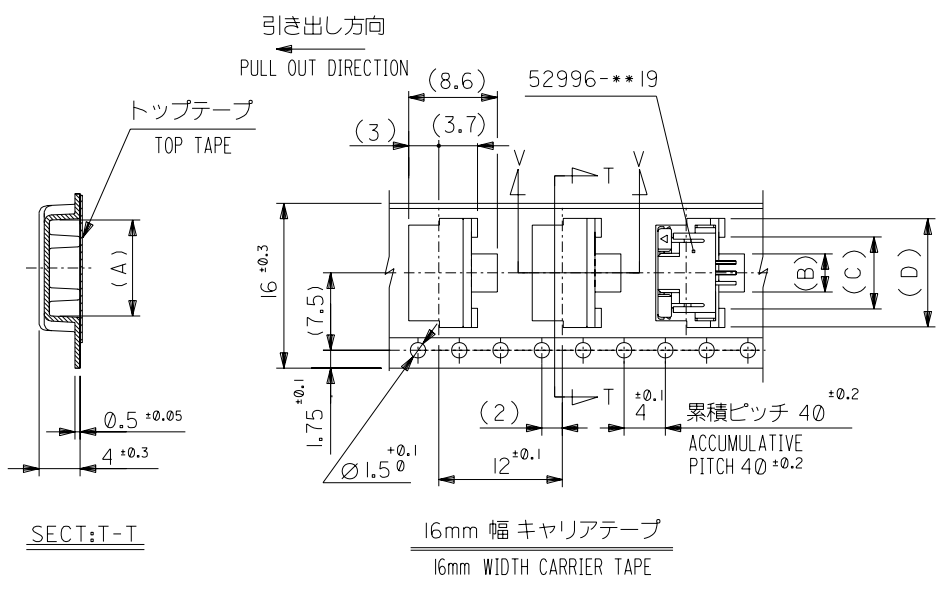
注記 NOTES

- △ 接点部までの嵌合長さ。 LENGTH TO CONTACT POINT
- △ FPC 挿入深さ。 INSERTION DEPTH OF FPC.
- 2. 使用材料 MATERIAL
 - ハウジング: 46ナイロン(青), UL94V-0
 - ハウジング HOUSING: 46NYLON(BLUE), UL94V-0
 - アクチュエータ: PPS(黒), UL94V-0
 - アクチュエータ ACTUATOR: PPS(BLACK), UL94V-0
 - ターミナル: リン青銅、錫ヒスマスメッキ (±0.32)
 - ターミナル TERMINAL: PHOS-BRO.TIN-BISMUTH PLATED(±0.32)
 - 金具: 銅合金、錫メッキ (±0.25)
 - 金具 FITTING NAIL: COPPER ALLOY, TIN-PLATED(±0.25)
- 3. パターン剥離止め用金具 FITTING NAIL FOR PREVENTION OF PEELING OF P.C.B. PATTERN.
- 4. エンボステープ梱包時はアクチュエータがロックした状態とする。 WHEN CONNECTOR IS SHIPPED, ACTUATOR SHOULD BE LOCKED.
- 6. 本製品は 52996-***11 の鉛フリー品である。 THIS PRODUCT IS LEAD FREE OF 52996-***11

角度 ANGLE	±3°
30°以上 OVER	±0.3
10°以上 OVER 30° UNDER	±0.25
未満 UNDER	±0.2
一般公差 GENERAL TOLERANCES	

52996-***19	7.7	4.2	2	52996-0319	3
MODEL NO.	C	B	A	MATERIAL NO.	極数 CKT.
材料 MATERIAL	注記参照 SEE NOTES				MOLEX-JAPAN CO.,LTD. 日本モレックス株式会社
仕上げ FINISH	//				
適用電線範囲 WIRE RANGE	//				TITLE 名称
被覆外径 INS. RANGE	//				1.0mm PITCH FPC. CONN. ZIF. SMT. -LEAD FREE-
DRAWN BY '04/03/05 M.NABEI	CHK'D BY '04/03/05 K.TOJO	DWG. NO.			REV
APP'D BY '04/03/05 M.SASAO	尺度 SCALE	SD-52996-001			0

DWG. NO. SD-52996-002

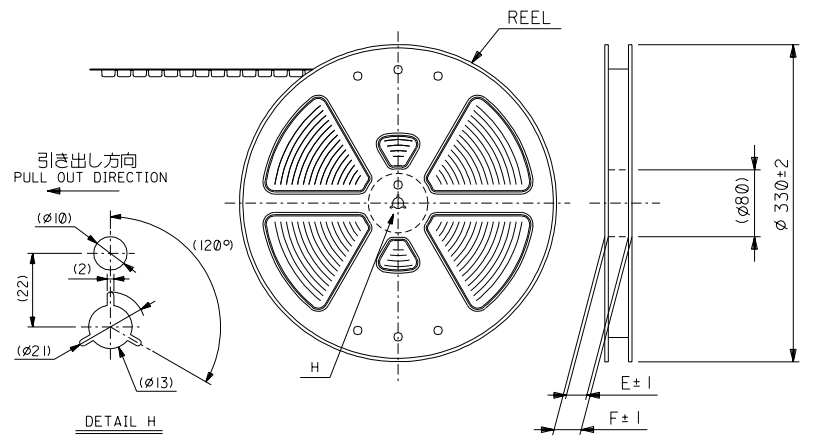


24	29.4	25.4	18.5	15	11.7	17.3	52996-1170	11
			17.5	14	10.7	16.3	-1070	10
			16.5	13	9.7	15.3	-0970	9
			15.5	12	8.7	14.3	-0870	8
			14.5	11	7.7	13.3	-0770	7
			13.5	10	6.7	12.3	-0670	6
			12.5	9	5.7	11.3	-0570	5
11.5	8	4.7	10.3	-0470	4			
16	21.4	17.4	10.5	7	3.7	9.3	52996-0370	3

52996-**70	キャリアテープ幅	F	E	(D)	(C)	(B)	(A)	MATERIAL NO.	極数
MODEL NO.	CARRIER TAPE WIDTH								CKT.
材料 MATERIAL								MATERIAL NO.	
注記参照 SEE NOTES								MATERIAL NO.	
仕上げ FINISH								REVISE ONLY ON CAD SYSTEM	
適用電線範囲 WIRE RANGE								TITLE 名称	
被覆外径 INS. RANGE								EMBOSSED TAPE PACKAGE FOR 52996-**19	
DRAWN BY '04/03/05 M.NABEI								-LEAD FREE-	
CHK'D BY '04/03/05 K.TOJO								DWG. NO. SD-52996-002	
APP'D BY '04/03/05 M.SASAO								(SHEET 1 OF 3)	
尺度 SCALE								REV	

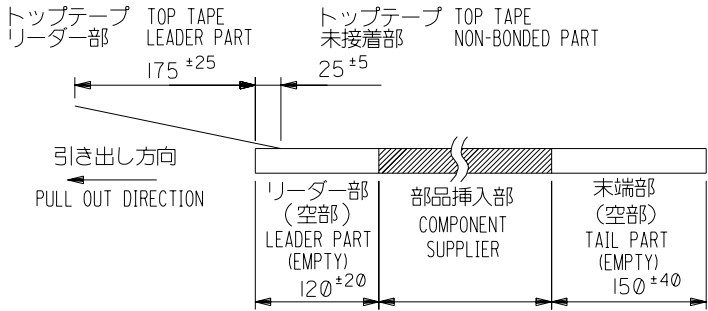
角度 ANGLE	±3°
30 以上 OVER	±0.5
10 以上 30 未満 UNDER	±0.25
未満 10 UNDER	±0.2
一般公差 GENERAL TOLERANCES	

記号 LTR	変更内容 REVISION RECORD	DR. CHK.	日付 DATE
①	新規作成 PROPOSED (J2004-288)	M.N.	'04/03/05

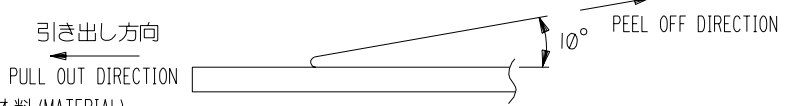


注記 NOTES

- 製品番号 52996-**19 の梱包状態はアクチュエータがロックした状態とする。
IN THE PACKAGE, ACTUATOR OF PART NO. 52996-**19 SHOULD BE LOCKED
RE DETAILED DIMENSIONS, SEE SD-52996-001
- 梱包数量：1000個/リール
NUMBER OF CONNECTORS：1000PCS/REEL
- リードテープ長さ(LEAD TAPE LENGTH)



- トップテープの剥離強度：0.1~1.3N {10~130gf}
(剥離方向は下図参照)
尚、本規格値は、出荷時に適用。(但し、輸送時に剥離が発生しない事。)
PEELING OFF FORCE OF TOP TAPE：0.1~1.3N {10~130gf}
(PEELING DIRECTION AS SHOWN IN FOLLOWING FIG.)
THIS REQUIREMENT SHOULD BE APPLIED AT SHIPMENT. (PEEL OFF SHOULD NOT BE ALLOWED, DURING TRANSPORTATION.)

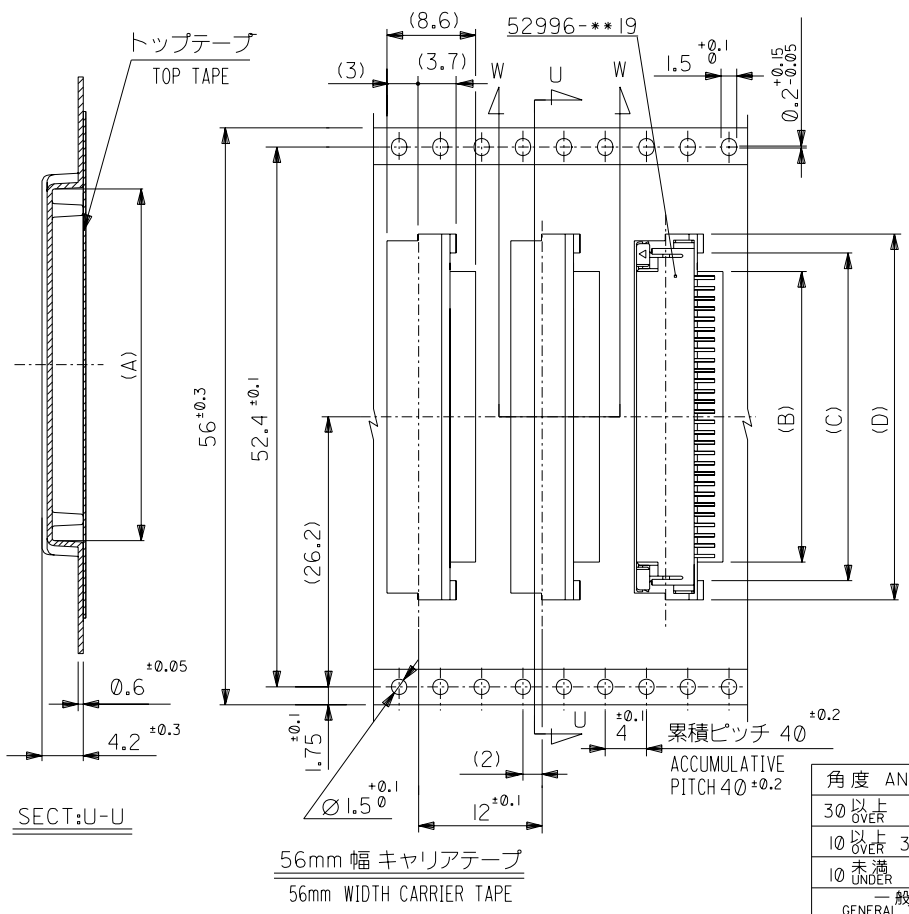


- 材料 (MATERIAL)
キャリアテープ：ポリプロピレン (PP)
CARRIER TAPE：POLYPROPYLENE
トップテープ：PET, PE, PEF
TOP TAPE：PET, PE, PEF
リール：紙製
REEL：CARD BOARD

- 本製品は 52996-**90 の鉛フリー品である。
THIS PRODUCT IS LEAD FREE OF 52996-**90

52996-**70	キャリアテープ幅	F	E	(D)	(C)	(B)	(A)	MATERIAL NO.	極数
MODEL NO.	CARRIER TAPE WIDTH								CKT.
				37.5	34	30.7	36.35	52996-3070	30
				36.5	33	29.7	35.35	52996-2970	29
				35.5	32	28.7	34.35	52996-2870	28

材料 MATERIAL		注記参照 SEE NOTES		molex MOLEX-JAPAN CO.,LTD. 日本モレックス株式会社	
仕上げ FINISH		—		REVISE ONLY ON CAD SYSTEM	
適用電線範囲 WIRE RANGE		—		TITLE 名称	
被覆外径 INS. RANGE		—		EMBOSSED TAPE PACKAGE FOR 52996-**19	
DRAWN BY '04/03/05 M.NABEI		CHK'D BY '04/03/05 K.TOJO		-LEAD FREE-	
APP'D BY '04/03/05 M.SASAO		尺度 SCALE		DWG. NO. SD-52996-002 (SHEET 3 OF 3)	
REV 0					



角度 ANGLE	±3°
30以上 OVER	±0.5
10以上 30未満 UNDER	±0.25
未満 10 UNDER	±0.2
一般公差 GENERAL TOLERANCES	